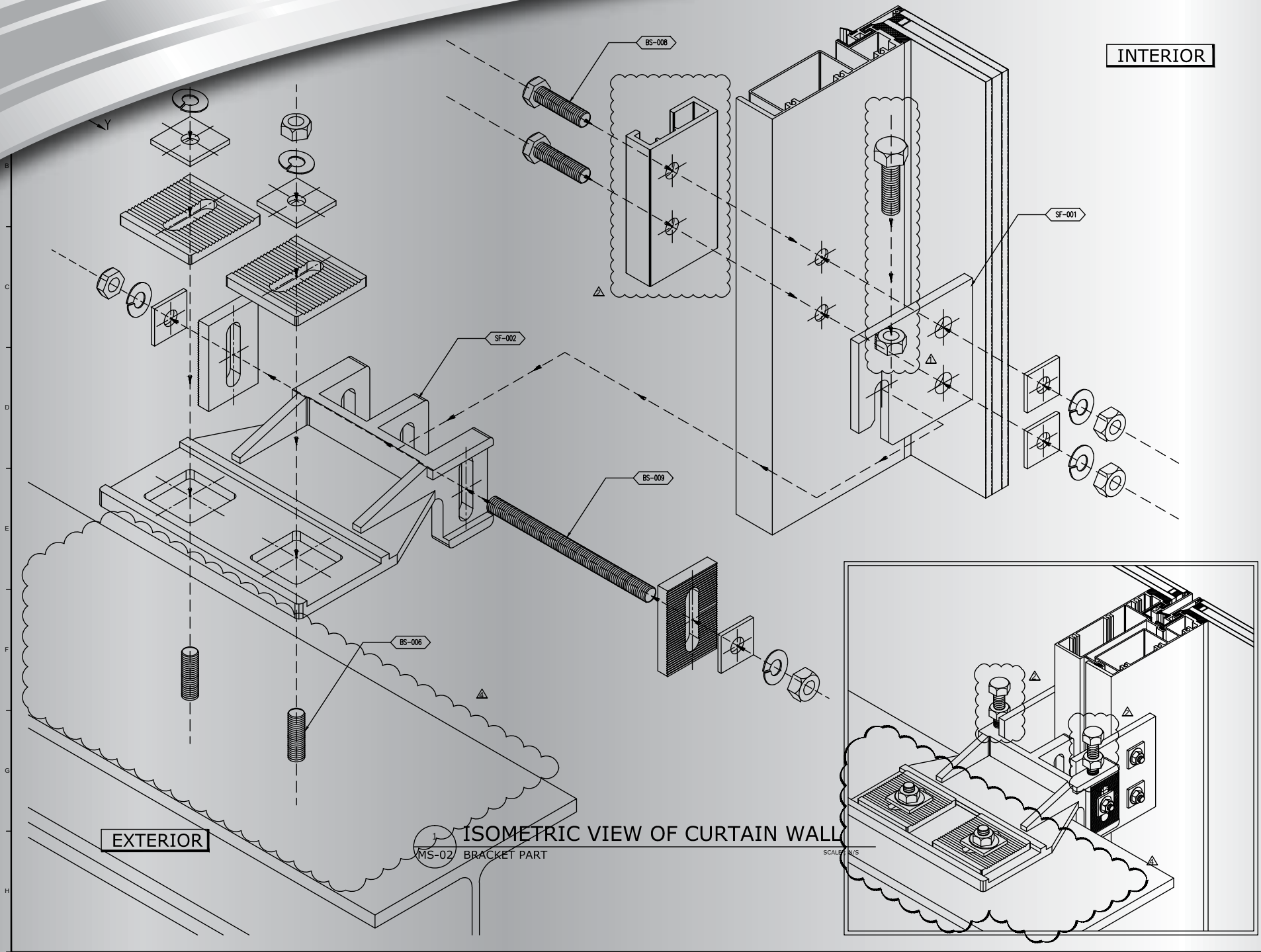




CONTENTS

Introduction	3
Vision, Mission, Values	5
Quality Policy Statement	7
Production	9
Products	11
Projects	15
Brands	23
Location Map	24



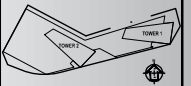
Submittal No. _____
 Note: All rights reserved. This document is a property of multifarms having name. No part of this drawing may be reproduced or transmitted in any form by any means without written permission of the copyright holder.

This drawing has been checked for completeness, accuracy coordination, and compliance with the Contract Documents. All dimensions and field conditions have been verified.

Contractor's Representative: _____ Date: _____

Coordinated by					
Name	Company	Date	Preparation	Signature	

Key Plan:



Rev.	Description	Date
4	Isometric Rev.	17.FEB.08
3	Isometric Rev.	13.JAN.08
2	Isometric Rev.	29.OCT.07
1	Isometric Rev.	26.OCT.07

Project Name: **EMAAR BOULEVARD PLAZA PLOTS 12&13**
 Burj Dubai Development

Client: **EMAAR** **LoD**
 EMAAR Properties P.J.S.C. P.O. Box 9440, Dubai, UAE

Engineering Manager: **AEDAS (Rep. Office)**
 ARCHITECT
 LANDSCAPE ARCHITECT
 INTERIOR DESIGNER
 47th Floor BurjDubai Business Tower
 Trade Center Road P.O. Box 202027
 TEL: +971 4 381 2212
 FAX: +971 4 381 2212
 WWW: aedas.com

Design Consultant: **AEDAS (Rep. Office)**
 ARCHITECT
 LANDSCAPE ARCHITECT
 INTERIOR DESIGNER
 47th Floor BurjDubai Business Tower
 Trade Center Road P.O. Box 202027
 TEL: +971 4 381 2212
 FAX: +971 4 381 2212
 WWW: aedas.com

Structure / MEP Consultant: **Hydro**
 Consulting
 Hydro Consulting, Middle East Center P.O. Box No. 22726, Dubai, U.A.E.

Main Contractor: **BAYTUR SAMSUNG-BAYTUR J.V.**

Submittal No. _____

Drawing Title: **ISOMETRIC VIEW OF CURTAINWALL-1**

Checked by:	LEE B.K.	AL
Checked by:	KIM T.H.	2011
Drawn by:	KIM Y.K.	2011
Scale:	A3: N/S	Date: 17.FEB.2008
Drawing No. (1/2)	BD 12&13-MSD-CWL-MF-MS-02	
Drawing No. (2/2)	MS-02	
Rev.	4	

INTRODUCTION

The success story began by 1999, upon the establishment of superior Group, since then an outstanding reputation for excellence in the construction industry was achieved.

A dedicated team of highly qualified and experienced professional's manages the company. Top management is committed to continue improvement, not only to meet, but to exceed the expectations of the customer in every project undertaken.

Steady and stable growth was achieved over years, and mile stones of this momentum growth was expanding with superior metal work in Sharjah, acquisition of Superior Aluminum and glass in Dubai and establishing of our new Branch at Al Ain-Abu Dhabi.

Over the last years the company has successfully executed numerous glass, stainless steel, aluminum and mild steel projects. Total and unwavering commitment to quality, contract requirements and time schedules has resulted in an unparalleled level of customer confidence and satisfaction.







VISION

To be a referral company in our field, known for delivering quality and creative engineering solutions with a philosophy based on generosity, trust and commitment.

MISSION

We would achieve our collective vision through:

1. Well structured management
2. Employing talented and committed pool of Human Resources
3. Providing quality and creative engineering solutions
4. System of “do it now, do it right, always” and thus set motion to form one of the biggest and leadership company in UAE.

VALUES

Superior Group will operate within strict legal and ethical guidelines, be a fair employer, offer premium products, knowledgeable service and sensible pricing.



QUALITY POLICY STATEMENT

As a group that is involved in providing solutions in fabricating, assembling, installations of metal and Glass works like doors, facades, and ornate staircases, our job is to understand various requirements of our customers that include technical as well as aesthetics clearly and exceed their expectations through executing our works with impeccable precision and finish.

We commit to continually improve our customers' satisfaction through implementing Plan-Do-Check-Act model across all our processes.

We commit to achieve outstanding customer centric and business results by setting quality objectives annually and achieving them.

We also commit to manifest this policy to all our team members through various methods for effective adaption and ownership. We shall commit to review this policy annually to ensure that it stays relevance with the current and future requirements of business, customers and stakeholders.

Managing Director





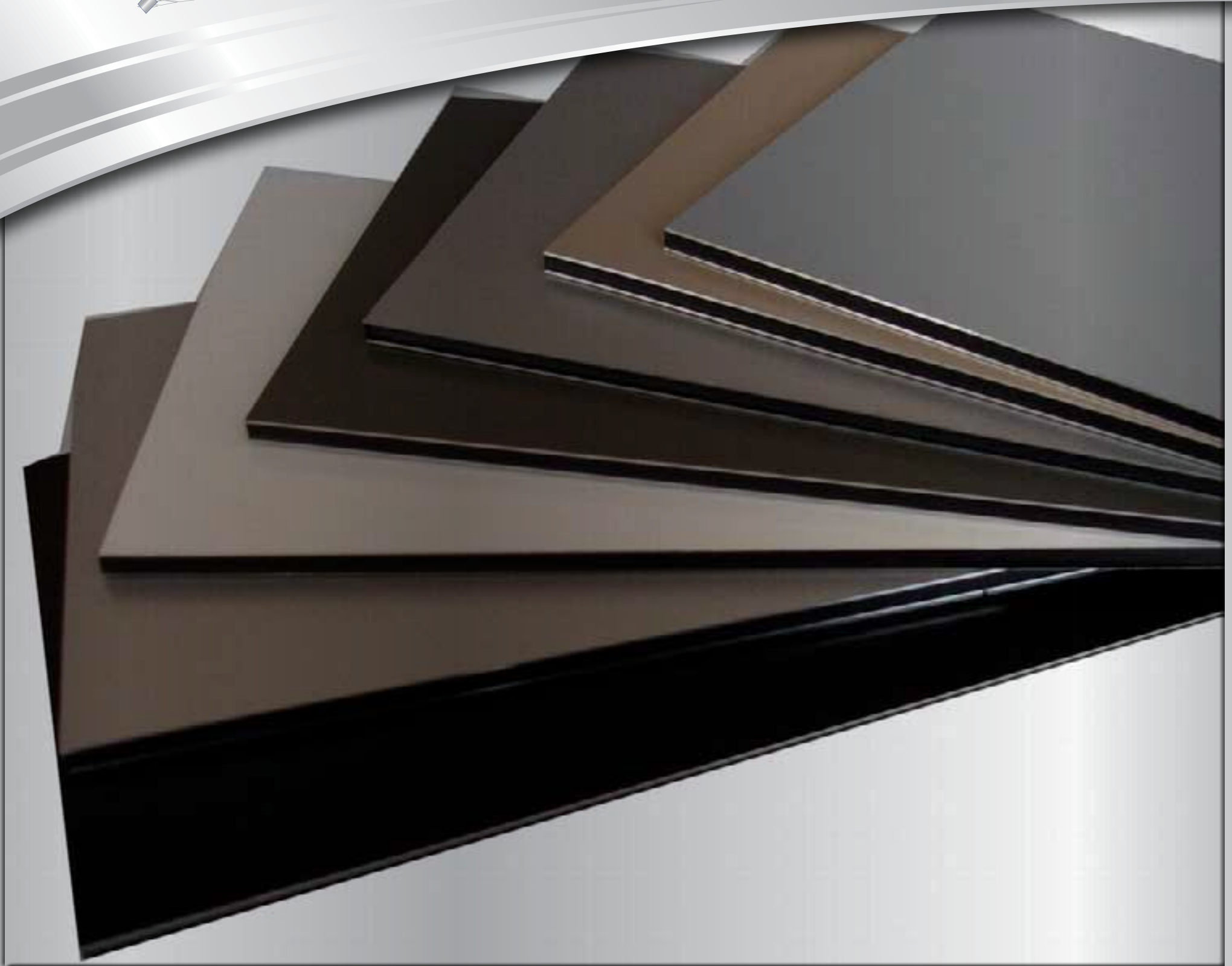
PRODUCTION

Over 20,000 square feet of production area in Sharjah Industrial Area 3, street 12
 Over 14,500 square feet of production area in Dubai, Al Qusais industrial area street 29
 Production Departments / Sections

- Water Jet Section
Cutting of all type of materials using CNC Water Jet Machine
- Metal Forming Section
Bending, twisting and forming of metal sheets, bars and rods
- Metal Removal Section
Cutting, Milling, Grinding, slicing turning and shearing of metallic sheets, bars and rods
- Welding Section
All type of welding process, Shielded Metal Arc Welding (SMAW), Gas Metal Arc Welding (GMAW). For Mild steel, stainless steel, and Aluminum materials
- Stainless steel Section
Assembly, polishing, grinding and fabrication of stainless steel products.
- Aluminum Fabrication Section
Production unit for manufacturing ,fabrication and assembly of architectural Aluminum products.

The production is furnished with variety of machines with most precise capabilities to ensure highest achievement of clients satisfaction.





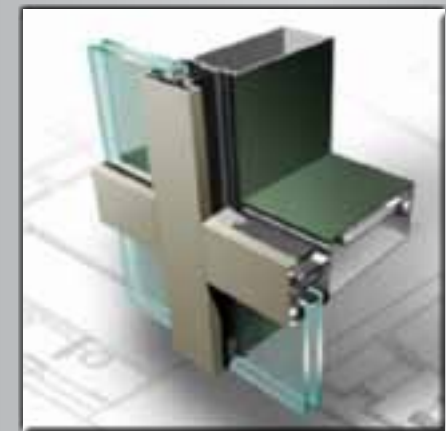
PRODUCTS

Superior group of companies offer variety of metallic and glazed products which is included but not limited to.

- Stainless steel Balustrades-Handrails
- Stainless steel Cladding
- Stainless steel staircase
- Frameless glass work
- Aluminum curtain wall
- Aluminum windows/doors/louvers
- Aluminum Balustrades-Handrails
- Shower Doors
- Sky Lights
- Wall Cladding
- Metal Cat ladders (Stainless steel, Aluminum and mild steel)
- Canopies
- shade System (Car Parking)
- Mild steel work
- Metal Forming
- Decorative Stainless steel
- CNC Water Jet cutting services



Glass partition



Curtain wall



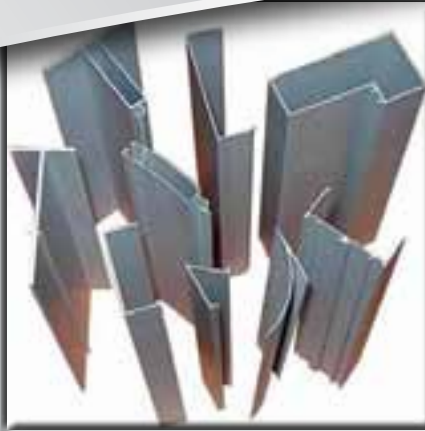
Aluminum hinge doors



Foil



Curtain wall



Aluminum extrusions



Shower door



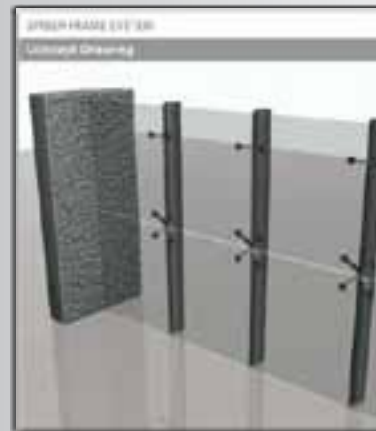
Shower door



Aluminum sliding door



Aluminum louver doors



Spider Glass



Mildsteel louvers



Building facade glazed curtain wall



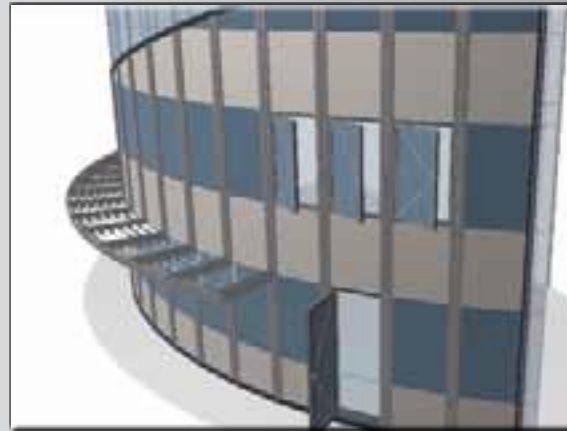
Canopy S.S. and glass



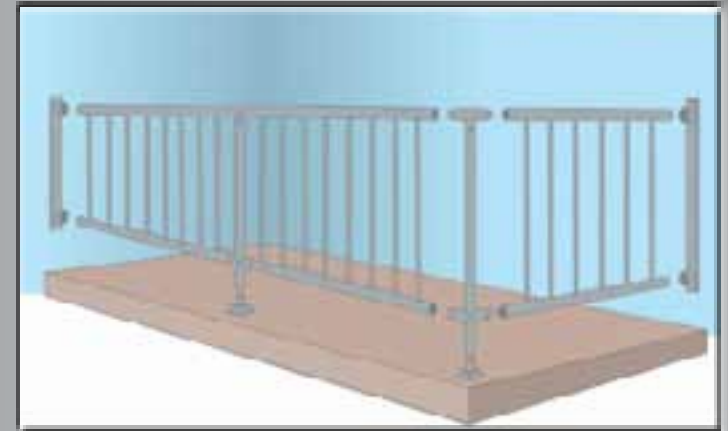
Point fixing glass system



Canopy



Faci panel with curtain wall



Aluminum Handrill



Car park tint 1



Car park tint 3



Car park tint 2



Project: Materials City Development - Mussafah

Client: Manazel Real Estate

Consultant: ARTE Architects

Contractor: FIBREX-Thinet JV

Project: Dragon Mall

Client: Nakheel



PROJECTS

Listed below Sample projects completed by Superior Group over the past years

Project : Construction of 177 Villas – Dubai Water front (2011)

Client: Nakheel

Consultant: CHSS

Contractor: Al Jaber building

Project : Abu Dhabi Financial Center – Abu Dhabi

Consultant: GOETTSCHE Partners

Contractor: Oger Abu Dhabi

Sub-Contractor: Momentum Variforms



**Project: Shieka Sana Al Maktoum Palace,
Jumierah Beach-Dubai**





Project: AL JABER twin Towers Resd. Complex- Fujerah
Contractor: Al Jaber Building



Project: G+7 Residential building at Dubai Marina

Consultant: Arch Dome

Contractor: Delta Emirates





Project : Hilton Furnished Apartment G+14 twin Buildings – Barsha Dubai (2011)

Client: Hilton

Consultant: Al Ajami

Contractor: Delta Emirates Cont. Co.



Project: Fabrication of power Generator Casing, Ex-Factory
Client: Phoenix Diesel Power and Engineering





DIFC Cinema



JOOP!

JOOP!

50%

SALE

30%

PART 50%



BRANDS

Facades work for elite brands at (Emirates Mall, Dubai Mall, DIFC and Burjman)

RICHMOND, Costa Café, Paris Gallery

CANALI, Axiom-Telecom, SALSA

JOOP, CLARINS, LAUREL

VERSACE, TOUS, CORSINI Cafe

AL SALAM, LACAZA, XANADU





SAFETY SAFETY SAFETY

HEALTH, SAFETY & ENVIRONMENTAL POLICY STATEMENT



It is the policy of SUPERIOR aluminum and Glass Company to ensure, so far as is reasonably practicable, the occupational health, safety and welfare of its employees while they are at work and of others that maybe affected by their undertakings.

SUPERIOR management is fully committed towards the health and safety of its employees so as to achieve a safe working environment through planned and controlled procedures, regular review performance that ensure all the aspects of safety, however every individual employee has an equal responsibility to ensure safety at their work place.

We believe the TOTAL SAFETY is the ongoing integration of safety into all activities with the objective of attaining industry leadership in safety performance, which should be the common objective for the company and every member of its staff to put all their efforts at every level in the organization for continual improvement.

SUPERIOR management believes that safety is synonymous with quality. Since we are committed to excellence, it follows that minimizing the risk of injury to people and damage to the equipment and products is inseparable from our overall objective of TOTAL SAFETY.

By adhering to the company safety policy, the common objective of TOTAL SAFETY will be achieved. In doing so, this will reflect individual and corporate professionalism which is the keystone of our containing as a leading industrial force.

These indicate to all employees that their responsibilities in this field are no less than for any other function.



Hussam Helal

Managing Director

+971 55 654 3989

hussam.h@superior-me.com

Superior Steel & Welding Works

Ind. Area No. 3,

P.O. Box 38594 Sharjah, UAE

Tel: +971 6 543 9881

Fax: +971 6 543 9882

Superior Metal Moulding & Cutting

Ind. Area No. 3,

P.O. Box 38594 Sharjah, UAE

Tel: +971 6 543 9881

Fax: +971 6 543 9882

Superior Aluminum & Glass Cont.

Ind. Area No. 17

P.O. Box 38594 Sharjah, UAE

Tel: +971 6 531 4443

Fax: +971 6 531 4454

Superior Decor Glasses & Aluminum Mfg. LLC

P.O. Box 57401 Al Qusais, Dubai, UAE

Tel: +971 4 267 5511

Fax: +971 4 267 5533

Superior Decor

P.O. Box 13403 Al Ain, UAE

Tel: +971 3 764 7935

Fax: +971 4 764 7414

Superior

P.O. Box 14445 Erbil, Iraq

Tel: +964 662 615 200

Fax: +964 662 615 201